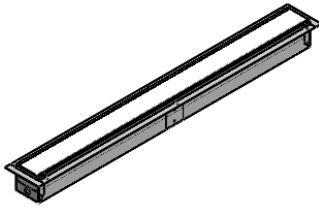
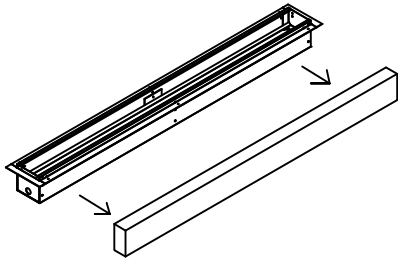


INSTALLATION INSTRUCTIONS FOR 23/44/66 RECESSED FLANGED

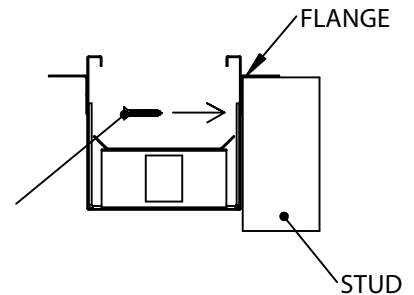
THIS ASSEMBLY IS DESIGNED FOR PRE-SHEET ROCK INSTALLATION



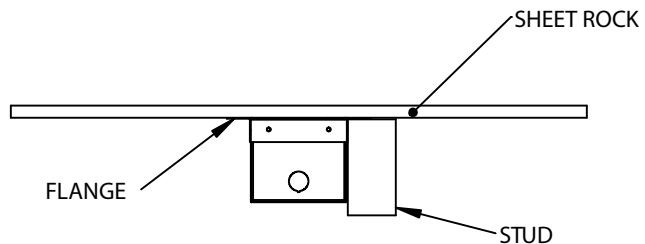
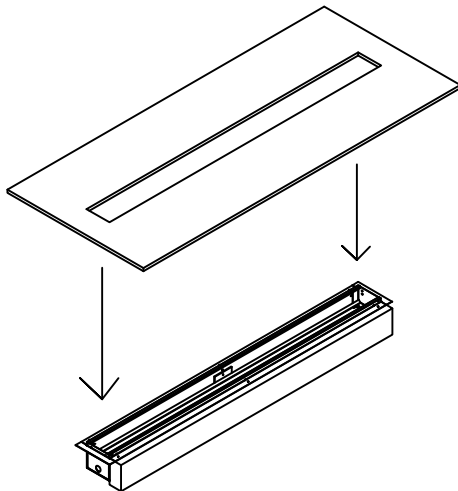
STEP ONE: FIRST REMOVE THE LENS. THEN PLACE THE FIXTURE ALONG SIDE A STUD (THAT IS ALREADY IN PLACE FOR THE WALL). THEN USING 1" WOOD SCREWS (4X) ATTACH THE ASSEMBLY TO THE STUD.



1" WOOD SCREW (4X)



STEP TWO: ONCE THE FIXTURE IS SECURED IN PLACE YOU CAN NOW EASILY DO THE WIRING THROUGH THE KNOCKOUTS ON EITHER END OF THE ASSEMBLY. WHEN READY IT IS NOW TIME TO INSTALL SHEET ROCK OVER THE FRONT OF THE FIXTURE. TAKE A PIECE OF SHEET ROCK AND CUT OUT A RECTANGULAR HOLE SIZED FOR THE FIXTURE YOU INSTALLED. A STANDARD FOUR FOOT FIXTURE WILL BE 4 X 48 INCH CUTOUT, (AND A STANDARD EIGHT FOOT WILL BE 4 X 96 INCH CUTOUT). PLACE THE SHEET ROCK OVER THE FRONT OF THE FIXTURE UNTIL THE BACK OF THE SHEET ROCK IS TOUCHING THE FRONT FACE OF THE PERIMETER FLANGES. SECURE THE SHEET ROCK IN PLACE. TO REMOVE ANY SEAMS TAPE AND MUD UP TO THE EDGE OF THE FIXTURE.



STEP THREE: REPLACE LENS

